



DESCRIPTION



Capacity: 6 x 60x40 - 1/1 GN



Trays insertion: Crosswise



Dimensions: 865 x 775 x H 715 mm



Control panel: Analogic



Indicative quantity of meals: 72



Cooking chamber heating: Electric

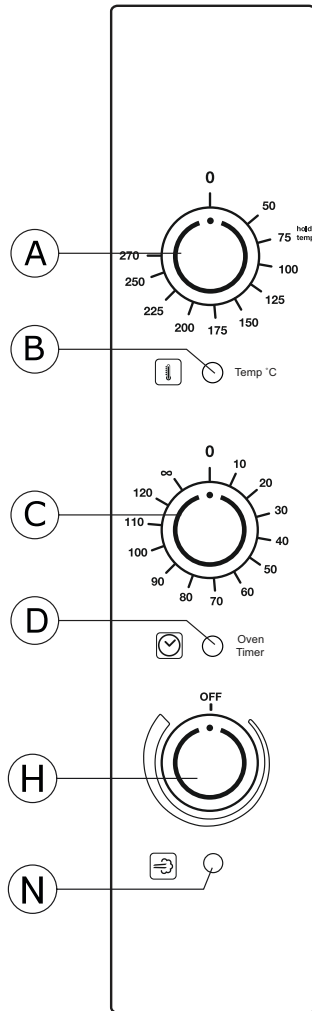


Steam generation: direct system

COOKING MODES AND FUNCTIONING

	Convection mode	Temperature range between 50 °C and 270 °C
	Convection with steam	Adjustable steam quantity
	Autoreverse	Automatic reversal of fan rotation

CONTROL PANEL COMPONENT DESCRIPTION



A	Cooking chamber thermostat
B	Heating cooking chamber ON pilot light
C	Timer
D	Timer ON pilot light
H	Steam regulation
N	Steam ON pilot light

MANUFACTURING FEATURES

- Heating system located on the back side of the cooking chamber;
- Waterproof cooking chamber in stainless steel AISI 304;
- Cooking chamber with external welding;
- External covering panels made of satin stainless steel AISI 430;
- Base chassis made of stainless steel AISI 430;
- Heating elements made of stainless steel Incoloy 800;
- Thermal insulation of the cooking chamber in ceramics fibre;
- Cooking chamber fans made of stainless steel;

OPTIONAL ACCESSORIES

Code	Description
AFO 687	Stand
AFO 689	Stand with shelf
AFO 691	Stand with tray-slides

Code	Description

DIMENSIONS

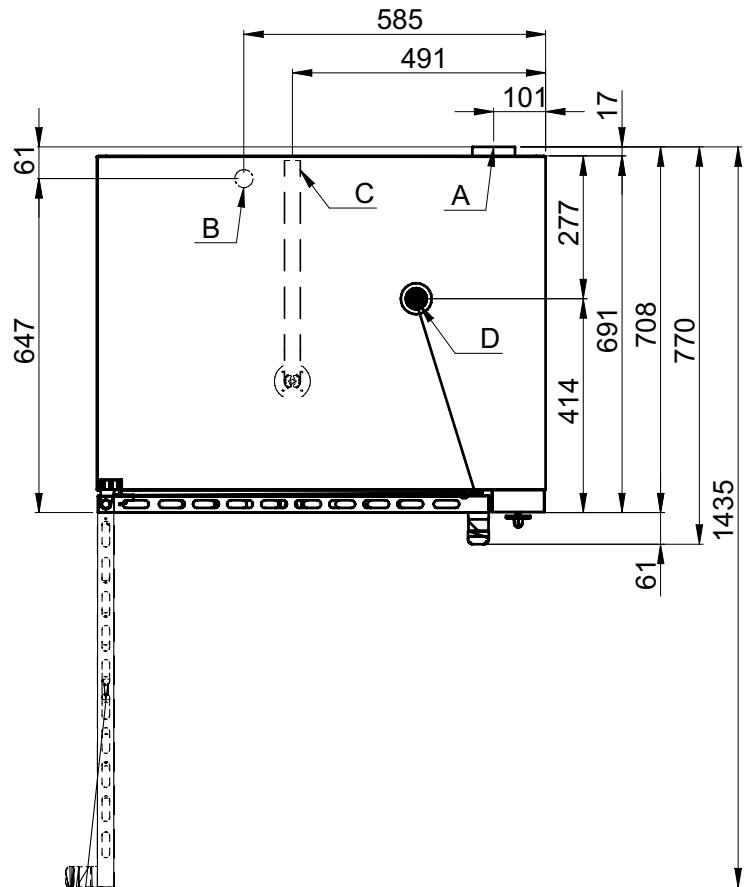
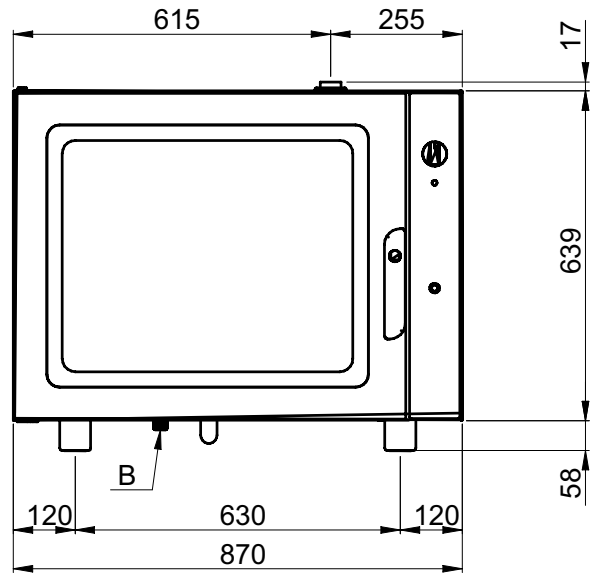
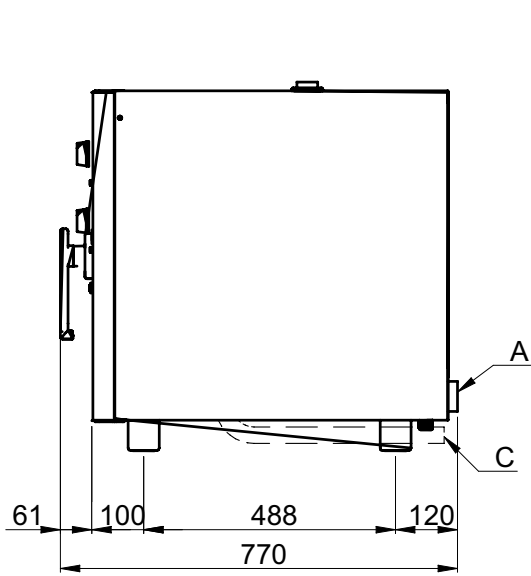
	OVEN	PACKAGE
Width	865 mm	910 mm
Depth (with door handle)	775 mm	815 mm
Height	715 mm	905 mm
Weight/Volume	85 kg / 0.67 m ³	

WATER SUPPLY

Water supply coupling	Ø ¾" gas
Water pressure	1.5 - 2.5 bar
Water hardness	4 - 12 °f = 40 - 120 ppm
Water conductivity	50 ÷ 2000 µS/cm
Chlorine concentr. Cl ₂	< 0.2 mg/litre
Chloride concentration	<150 mg/litre
Water drain coupling	Ø 40 mm

POWER SUPPLY

Model	AFO EM6SV
Power loading	7.9 kW
Chamber power	7.4 kW
Power of the motors	n° 2 x 240 W
Max. power loading	7.9 kW
Voltage	380 - 415 V 3N ~ 50/60 Hz
Absorbed current	13.4 A
Feed cable section	n° 5 x 2.5 mm ²
Capacity	6 x 60x40 - 1/1 GN
Pitch between trays	75 mm



- A Electrical cables connection
- B Water inlet Ø 3/4" gas
- C Water drain
- D Cooking chamber release valve