

# **FLATWORK IRONER**

## **INSTALLATION USE AND MAINTENANCE INSTRUCTION**



**Index**

1. INTRODUCTION .....	3
2. SAFETY RULES .....	3
3. MANUFACTURER'S LIABILITY .....	5
4. MACHINE IDENTIFICATION .....	5
5. UNPACKING .....	5
6. INSTALLATION AND POSITIONING .....	6
7. INDICAZIONI SULL'EMISSIONE SONORA .....	6
8. ELECTRIC CONNECTION .....	6
9. HUMID AIR EXHAUST .....	7
10. INTRODUCTION TABLE .....	7
11. KNOWING THE IRONER .....	7
12. IRONER START AND STOP .....	8
13. EMERGENCY STOP BUTTON USE .....	9
14. ANTI-PANIC BAR USE .....	9
15. IRONING WITH THE IRON .....	10
16. HOW TO USE THE COOLING .....	10
17. THE "FAN" KEY ON THE IRONER .....	11
18. HOUR-COUNTER MANAGEMENT .....	11
19. TEMPERATURE-SPEED COMPENSATION .....	11
20. WHAT TO DO IN THE EVENT OF A LIMB TRAP INTO THE IRONER .....	11
21. WHAT TO DO IN THE EVENT OF ENERGY FAIL .....	11
22. MALFUNCTION NOTIFICATIONS .....	12
23. PROGRAMMING .....	12
24. IRONER MAINTENANCE .....	13
25. IRONING PROBLEMS .....	13
26. SAFETY DEVICE CONTROL .....	14
27. SCRAPPING .....	15
28. WARRANTY CONDITIONS .....	15

## 1. INTRODUCTION

This manual contains instructions concerning the installation and maintenance of flatwork ironer and it is written taking in consideration the Community Directives in force.

These instructions are addressed to the user, who must read it carefully in order to be sure that everything has been understood before using the machine. This manual must be always available for consultation. Should it be lost or damaged, please ask for a new copy to the manufacturer.

The manufacturer is not responsible for any consequences arising from the neglecting of all instructions reported in this manual. The manufacturer has the right to modify the data contained in this manual or the technical features of each single machine. The drawings of this manual may represent details, which partially differ from the components installed on machines.

Drawings and technical data are subjected to variations without previous notification to the customer.

This manual and its attachments (electric diagram and technical data sheet) are themselves parts of the machine, so that they must be stored with the machine and remain with the machine even when it is sold to others.

Attachments and exploded views with spare parts can be retrieved from manufacturer website. Before to access to our website, please be sure to have the machine serial number available.

## 2. SAFETY RULES

Ignoring the following safety precautions can cause damage either to people, linen, animals or to the machine.

Authorized and qualified technicians must perform installation and maintenance of machines of this manual; they have to know our products and be acquainted with European standards for installation of industrial laundry equipment.

These flatwork ironers must be used only for professional iron of garments and linen: any other use is forbidden unless manufacturer authorization in writing.

It is forbidden to put anything in the machine other than items to be ironed; do not use the machine with fabrics contaminated by dangerous substances such as explosives, inflammables,

etc. Make sure they are rinsed or aired before ironing.

It is forbidden to iron garments soaked in substances known to be harmful to persons such as lead, poison or cancer-producing products

### ATTENTION

**Working with the side doors open is forbidden!**

**Do not put your hands below the roller even if the ironer is stopped!**



**CRUSHING DANGER**

**While introducing the linen in the ironer, the user must leave it at the hand safe bar level. The cloth must be flattened on the introducing table, where wrinkles and creases must be erased, after that the linen must be driven onto the roller, which will drag the linen to the heating room.**

**It is forbidden to iron folded sheets or more layers of clothes one above the other.**

**On the machine near the chest, the below label is fixed; if this label is removed or damaged, it must be replaced with a new one.**



**In order to avoid arms burning or crushing, it is forbidden to remove, even temporarily, the protection panels and/or the safety systems!**

**It is forbidden to introduce bars, ribs or metallic object between the roller and the chest. In case of emergency, please always follow the procedures here written.**

**Each time the machine is started, control the safety devices correct working! Each time the machine is started, please follow the control procedures written at the referring paragraph.**

**It is compulsory to know how the ironer and its emergency devices work.**



**BURNING DANGER**

The ironer presents danger of burning, due to the activities to which this equipment is addressed.

Burning may be caused by:

- Contact with the linen coming out from the ironer;
- Contact with the above chest border when the linen is introduced;
- Contact with the chest when it is opened;
- Contact with the chest during the maintenance operation done when the ironer is still hot;
- Contact with the linen extracted after they have been blocked between roller and chest.

On the machine the following labels have been fixed, if one of them is damaged or removed, the user must replace it with a new identical one



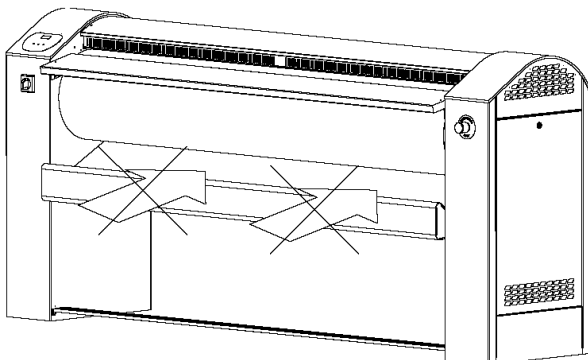
This one is stuck at the ironed linen exit.



This one is stuck above the chest and can be easily seen from user position



**ATTENTION: to avoid possible burning, never put your hands below the roller!**



The ironer must be always and only used by trained operators and always with another operator in the same room!

**READ CAREFULLY AND INFORM ALL OPERATORS ABOUT THE DEVICES TO BE USED IN CASE OF BLACK OUT OR ENTRAPMENT:  
VERIFY THE BLOCK SYSTEM POSITION**



**ELECTROCUTION DANGER**

Any intervention on the ironer electric parts must be taken over only by qualified technician and only after the electric supply has been cut off.

Only manufacturer's technicians can modify power and control circuits, otherwise the warranty would be no more valid.

On the electric board, the below label is fixed and it must be replaced with a new one if damaged or removed



**WARNING!**

Even when the main switch is positioned on "0", the cables before it have tension!



**OPERATOR PSYCOPHYSICAL CONDITIONS**

Operator working on the ironer must be in perfect psychophysical condition; while working, the operator must be in a vertical position just in front of the ironer.

Sudden or not controlled movements must be avoid in order to avoid dangerous impact with the ironer chassis, i.e. when the linen is collected or introduced.

Other operators in the room do not have to distract the operator working on the ironer.

While working on the ironer, the operator does not have to watch TV, listen to radio or do any other operation that can distract him; the operator must not be distracted.

**LIGHTING**

In the room where the machine is installed, a uniform lighting of 300-500 lux intensity must be present. Annoying flashing must be avoided.

**ATTENTION!**

This warning does not cover all possible risks. The operator must work respecting carefully all the rules.

**3. MANUFACTURER'S LIABILITY**

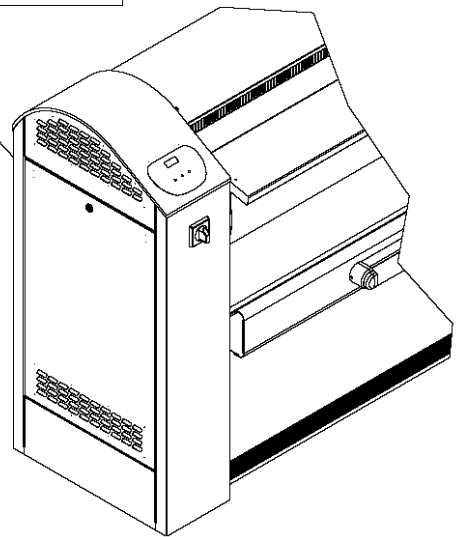
This manual instruction is not intended to substitute, but only to combine obligations of current legislation on safety standards. With reference to information included in this manual, the manufacturer is not responsible on the following events:

- neglect of European safety standards during machine utilization;
- incorrect installation of the machine;
- failure of regular and programmed maintenance
- neglect or incorrect observance of the instructions included in this manual;
- faults of voltage or of feeding systems;
- unauthorized changes on the machine;
- utilization of the machine by unauthorized operators.

**4. MACHINE IDENTIFICATION**

The ironer can be identified thanks to a label where are written: serial number, model, power and technical data. In case of spare parts order, ironer model and serial number must be communicated.

CE ...  
Serial number ...  
Voltage ... Weight ...



If this label is damaged, removed or absent, the machine cannot be identified; installation and maintenance operations become difficult and the warranty conditions expire automatically.

**5. UNPACKING**

Always control the ironer when it is delivered, highlighting damaged to inside and outside parts, writing eventual damaged on the delivery note and reported to the forwarder.

**ATTENTION!**

To move the ironer, use always a forklift truck with forks open as much as possible.

**ATTENTION!**

While moving, the ironer must be kept in horizontal position. The ironer never has to be in vertical position!

The machine must be completely unpacked near the installation place.

The plastic band must be cut and the covering removed.

The packing material must not be dispersed in the environment; instead, they must be stored in the collecting place following the rules.

Open both side doors using the apposite key (it can be found in the envelope together with the machine documents).

Using a monkey spanner, remove the bolts that fix the ironer to the pallet; they are visible from the machine sides.

**ATTENTION!**

Check on the technical data sheet net and gross weight, to be sure that the means of transport are suitable for the ironer handling. In order to lift the ironer off the pallet, pass the forks of the forklift truck under the ironer-collecting tray (avoiding scratches on the machine paint). Lift the ironer, take off the pallet and position the machine.

**ATTENTION!**

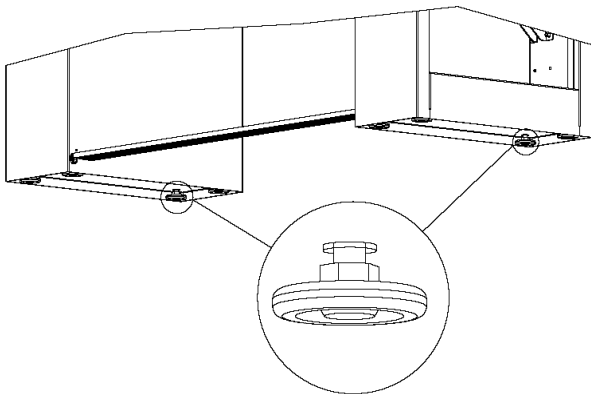
The pallet do not have to be used as machine support! Always lift the machine off the pallet and position it as described in the relative paragraph.

**ATTENTION!**

Only trained and competent operators can handling ironer with forklift truck.

**6. INSTALLATION AND POSITIONING**

Installation must be taken over by trained and qualified personnel. The ironer must be positioned in a perfect flat surface in steady and horizontal way using the adjustable feet on the ironer sides. The feet can be adjusted from outside, screwing and unscrewing them, until the iron is laid flat.



Check that the floor can support the machine weight indicated in the attached technical data sheet. The machine loading can be consider completely static.

For a correct use and maintenance, please leave 500 mm room around the ironer.

Room temperature must be included between +5°C and + 40°C.

NOTE: the machine must be removed from the pallet!

**7. INDICATION ABOUT NOISE EMISSION**

Air noise produced by the machine give a continuous and pondered acoustic pressure level; reference is category "A", lower than 70 dB.

**8. ELECTRIC CONNECTION**

Electric connection must be taken over by qualified technician and must comply with the European, national and local rules in force.

Check always if the supplied tension corresponds to the one written on the ironer label, which is positioned on the machine backside.

For the machine connection, use a cable H05 VV – F or more; the cable must be dimensioned following the data label.

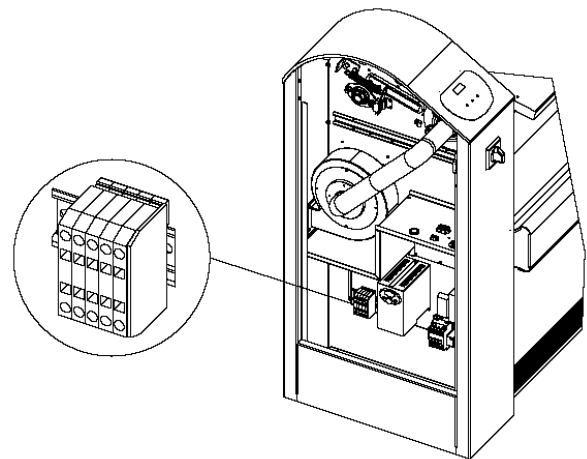
At the bottom of the system, an Omni-polar disconnection device must be provided (i.e. a magneto-thermal differential unit); the space between the contacts must be suitable to enable the complete disconnection in case of condition described by category III and, anyway, complying with the rules in force.

Be sure that the main switch is in position "0". Using the key supplied with the ironer documents, open the left side door.


Take off the side door making it rotating on the base.

Pass the supply cable through the cable holder inside the left ironer side.

Electrical supply must be executing using the marked terminal on the ironer.



Following the kind of supply written on the serial number label, connect the cables to the terminal using a screwdriver:

 : ground

L1, L2, L3: phases

N: neutral

When installing, or in case of supply cable replacement, the ground cable must be 5 cm longer than the others.

As the fans are single-phase, and an inverter starts the roller motor, it is not necessary to control the motor rotation sense.

The equipment must be connected to an effective ground system: the manufacturer is not responsible in case this connection is not duly performed and in compliance with the relative rules in force.

Before of any maintenance operation cut off the electrical supply: for maintenance refer to the electric diagram stored in the left side door or available in the manufacturer website.

Section for the supply cables are the following (in mm<sup>2</sup>):

	1ph230V	3ph230V	3ph400V
FI 1000 FI 1250	6	4	2,5
FI 1500 FI 1750	10	6	4
FI 2000	16	10	6



**ATTENTION!**

Even when the main switch is positioned on “0”, the cables before it have tension!



**ATTENTION!**

Machine connection must always be made respecting the serial number label (power, supply tension, frequency). For different supply tension, ask for information to the manufacturer.

**9. HUMID AIR EXHAUST**

The air exhaust duct (for ironer equipped with fan system) must be realized in compliance with the rules in force.

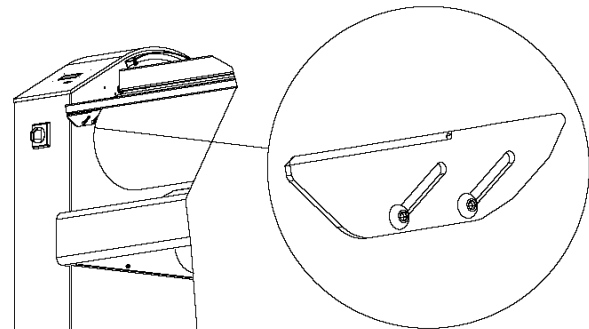
The exhaust duct must have a maximum linear length of 15m and must be equipped with a condense collector system, so that water returns to the suction fan are avoided.

In order to avoid humid air exits and noises, exhaust junction from the machine to outside must be airtight thanks to material, which is high temperature resistant (using filler, rubber solution, silicone).

**10. INTRODUCTION TABLE**

The introduction table fixing system allow adjusting the table position.

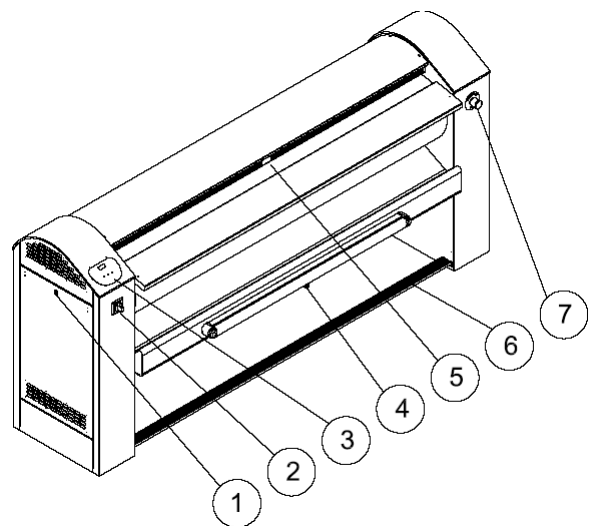
At the installation moment, adjust the position taking in consideration the user requests.



Unscrew the screw on both machine sides, position the table with the wished inclination and screw again the screws on both ironer sides.

**11. KNOWING THE IRONER**

The ironer has some special features that is necessary to know before starting to use the machine.



Point 1 identifies the ironer electric board access door. It can be opened using the plastic key supplied with the ironer documents. Only specialized and qualified technician may access to the electric board.

Point 2 identifies the main switch: if it is positioned at “I” the machine is electrically supplied.

Point 3 identifies the microprocessor.

Point 4 identifies the anti-panic bar: once the bar is pressed, the chest immediately lifts.

Point 5 identifies the hand safe bar: the ironer stop when the bar is pushed.

Point 6 identifies the pedal: once the pedal is pressed, the roller starts turning in the introduction sense. The roller stops when the pedal is pressed for the second time.

Point 7 identifies the emergency stop button that must be pressed each time the ironer emergency stop is necessary.

## 12. IRONER START AND STOP

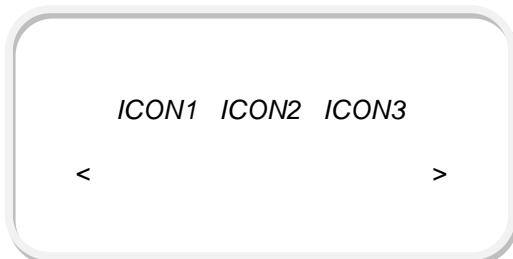
Switch on the machine positioning the main switch in position "I", as written in the previous paragraph.

Be sure that the emergency stop button has not been activated during transport or before last switching off.

Before starting the machine, check always the safety device correct working (see the proper paragraph).

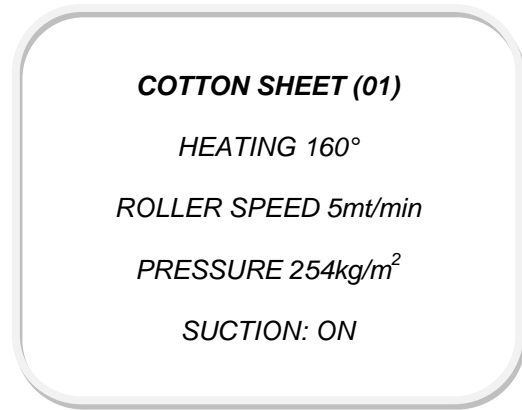
When the machine is switched on, the display shows for a while the software version and its release date .

Then it shows the menu to select the program:



To select a program, just tap the desired icon. To display stored programs, scroll the screen or tap one of the two arrow symbols.

When a program is selected, the display shows its name (it can be modified: please see relevant paragraph), its numerical storage and its features. For example:



Here follows a detailed description for each program parameter that can be displayed at the preview stage:

### HEATING

It is the temperature settled for the ironing cycle. Remember to settle the temperature referring to specific characteristic of the linen and to roller speed.

### ROLLER SPEED

It is the roller speed settled for the ironing cycle. Remember to settle the speed referring to specific characteristic of the linen and to temperature of the ironing chest.

### PRESSURE CHEST

It is the pressure of the chest on the roller during the ironing cycle. This parameter is absent from ironers with belts (MCA and MCM models).

Less is the pressure settled and:

- less wear of the coating
- less temperature is exchanged and consequently the hourly production.
- more delicate is the treatment of tissues

Higher is the pressure settled and:

- more wear of the coating
- more temperature is exchanged and consequently the hourly production
- less delicate is the treatment of tissues

### SUCTION (only for machines equipped with this option)

When ON, it activates the suction of the humid air, when OFF, the suction is off mode. In case of ironers with belts (MCA and MCM models), suction is always at ON position during the ironing cycle.



**NOTE**

During the running of the cycle, it is possible to change all described parameters using corresponding icons on display: those changes will not be saved on the program.



**ATTENTION!**

Pay attention to settle a program that leaves 10-20% of humidity on the linen to allow a correct ironing.

When displayed desired program, just tap START icon.



About roller ironers, tapping on the START icon the heating system starts.

To start the rotation, it is necessary to press the crank-gear.

The ironing roller goes on turning on the introduction sense until the crank-gear will be pressed again.

About drying ironers, tapping on the START icon the heating system and the rotation of the rollers start.

While the ironer is operating, it is possible to adjust temperature, speed and pressure of ironing (see relevant paragraph).

When the temperature value set is reached, the buzzer emits some beeps sounds to warn the user.

Anyway, do not start ironing until the minimum set temperature of 80°C is reached.

When the ironing cycle ends, the machine can be stopped tapping *STOP*.

In order to longer the life of roller cover, be sure that at the end of the ironing cycle no residual humidity remains on the roller: we suggest to leave the roller turning at contact with the chest for two/three minutes, but with a temperature lower than 80°C.

The machine can be stopped using the COOLING function (see the relative paragraph).



**ATTENTION!**

Before stopping the ironing function, be sure that the temperature is lower than 80°C. If the ironing is stopped at a higher temperature, than the cover may burn



**ATTENTION!**

The machine has an automatic timer for stopping. If the machine stays in stand-by for more than 20 minutes, the microprocessor automatically brings the ironer in *OFF* position.



**ATTENTION!**

**In the event of failures or malfunctions, turn immediately the equipment off and call the authorized service!**



**ATTENTION!**

**At the end of the program, do not leave cloths inside the machine: a spontaneous combustion phenomenon may occur!**

**13. EMERGENCY STOP BUTTON USE**

In case of emergency or necessity of a rapid ironer stop, press the emergency stop button on the ironer side.

When the emergency stop button is pressed, the ironing roller stopped, change the sense of rotation and then stop definitively. At the same time, the chest lifts from the roller.

When the emergency is solved, rearm the emergency stop button in the original position rotating it on itself as per instruction on the button.

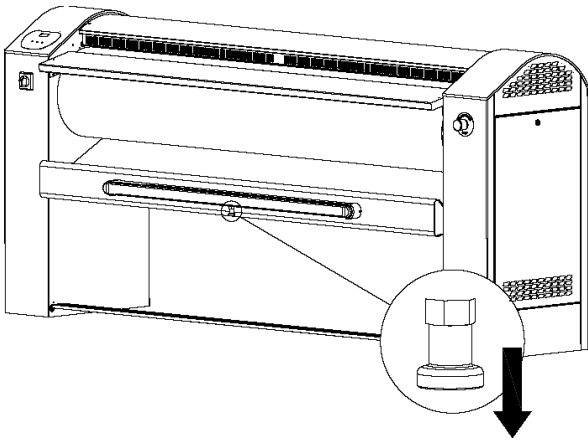
**14. ANTI-PANIC BAR USE**

In case of emergency like entrapment or black out, the anti-panic bar can be used.

When the anti-panic bar is pressed the chest lifts immediately up from the roller and the machine is automatically switched off.

The anti-panic bar must always be used in case of black out in order to lift up the chest from the roller to avoid roller cover and linen burning.

Once the anti-panic bar has been pressed, a spring pin blocks it.



When the emergency is finished, free the bar pulling the spring pin to the bottom; it must be pulled until the anti-panic bar come back to its original position (see above picture).

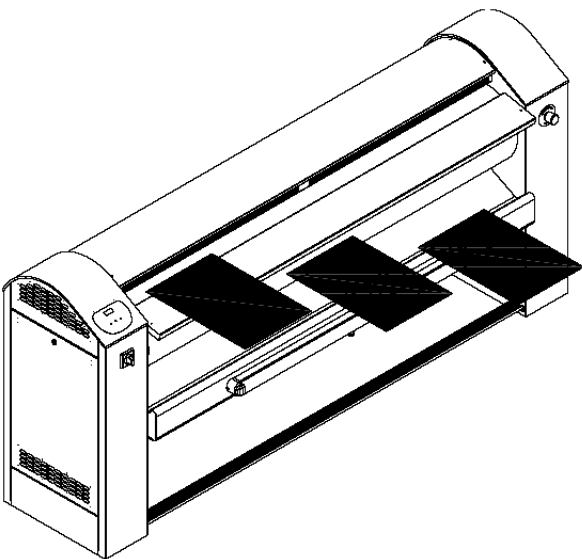
**15. IRONING WITH THE IRONER**

While working, remember to use the roller entire length, so the temperature is maintained uniform on the roller length. So, independently from the linen dimension, introduce it always as described in the following picture.



**ATTENTION!**

This machine does not have to be used for folding. Prohibited to fold the linen one or more tranches before introducing it in the ironer!



The temperature to be used must respect the instruction given on the label of the linen to be ironed. Remember that at ironing cycle end, the machine cannot be stopped if the temperature is

above 80°C. Remember that the residual humidity in the ironed linen must not be more than 20%. Ironer must be used for linen dried in a tumble dryer. The ironer task is to iron linen and not to dry linen. At the working end stop the machine, and bring the main switch in position "0".



**ATTENTION!**

Yellow stains on the ironed linen, means that detergent has not been well rinsed or the used temperature is too much high for this kind of fabric!



**ATTENTION!**

Wrinkles on the ironed linen may be caused by a too much lower residual humidity on the linen.



**ATTENTION!**

High differences in the thickness of the same fabric (due, for example, to seam), may cause wrinkle to the ironed linen. Ironing of a doubled or folded linen may also cause wrinkle or creases.



**ATTENTION!**

A bad sliding of the linen on the chest may cause horizontal pleats. The chest must always be kept clean; eventually clean it with paraffin.



**ATTENTION!**

Avoid ironing linen with buttons or nylon seams. The high temperature may cause their melting and consequently soil the chest. Avoid the ironing of linen with zip: they could damage the chest chromium.



**ATTENTION!**

Lateral filters must always be free: do not stop the airflow through the filters and clean them daily.

**16. HOW TO USE THE COOLING**

The cooling is a function that allows the thermal energy save and optimization. At the end of the working shift, or when the ironing work needs to be interrupted, this function can be used.

When the function is activated, the

thermoregulation is interrupted; the display shows a message for activated cooling.

The roller turns until the temperature is lower than 80°C. Once this temperature is reached, the machine stops.

If thermoregulation needs to be activated again, the cool down can be deactivated just pressing the *COOLING* key before the temperature of 80°C is reached; in this way, the set point temperature is restored and the ironing work can start again.

### 17. THE "FAN" KEY

If the ironer is equipped with a suction system, then this function can be activated or deactivated using the *FAN* key.

The suction extracts the humidity that would stay on the roller cover and let it off through the exhaust pipe.

Suction is activated and deactivated pressing the *FAN* key.

When this function is activated, the display shows the icon of a rotating fan.

To deactivate the suction, press again the *FAN* key.

### 18. HOUR-COUNTER MANAGEMENT

While the machine is working, the hour-counter increase storing how many hours the ironer worked. This data is kept even when the ironer is switched off. The installer can display the worked hours entering in a microprocessor protected-area.

### 19. TEMPERATURE-SPEED COMPENSATION

The ironer can work modifying automatically the speed depending on the temperature variation.

The speed is modified of a value between gaps of 1% - 20% on respect of the set point value.

Compensation is done in the following way: the system verifies which is the percentage difference between the set point and the working temperature, than the roller working speed is proportionally modified for the same percentage respecting the speed set point value.

This function is an optional: if you want to apply this system, ask for the microprocessor configuration to the installer.

### 20. WHAT TO DO IN THE EVENT OF A LIMB TRAP INTO THE IRONER

If a limb is trapped into the ironer, it is necessary to lift manually the chest.

More unlocking procedures can be used:

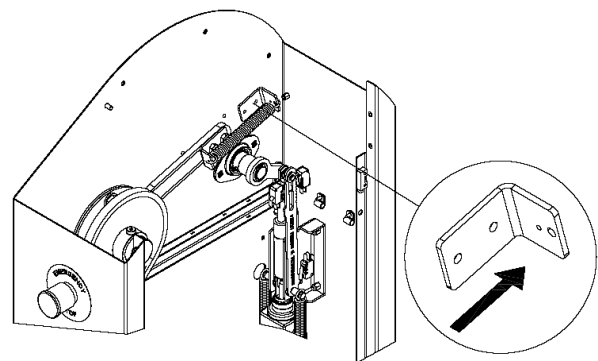
- Press the pedal with a foot while the roller is turning in the introduction sense:

during normal operation of the ironer, the roller turns in the contrary sense and the chest lifts from the roller.

- Press the hand-safe bar with the hands: the chest lifts and the roller sense of rotation change.
- Press the emergency stop button with the hand: the chest lifts and the roller sense of rotation change.
- Press the anti – panic bar with a knee: the chest immediately lifts from the roller even if the machine is not electrically supplied.

If no one of the above procedures give a good result, press the anti-panic bar and open the side door using the plastic key given with the ironer document.

Open the door rotating it on its base.



To take away the chest from the roller, pull up the bracket (the same in the above picture) so that the chest lifts and frees the limb, or the cloth, blocked into the ironer.



### ATTENTION!

The laundry manager must know the above procedures, must explain them to the personnel and must be sure that the ironer users well understood the risks of the ironer and emergency procedures.

Periodically, there must be a test to all users about these procedures and its comprehension.

### 21. WHAT TO DO IN THE EVENT OF ENERGY FAIL

In case of black out, one or more clothes may stay blocked between the roller and the ironer and may burn.

In this case, press the anti-panic bar with the knee and keep it pressed until the chest lifts from the roller.

When the anti-panic bar is pressed the chest automatically lifts from the roller and free the cloth avoiding itself to be burned and the roller cover burning.

## 22. MALFUNCTION NOTIFICATIONS

In case the ironer is not working correctly, the microprocessor gives a complete diagnosis.

Here below, the list of displayed alarms; anyway, we suggest contacting the service asking for a solution.

The activation of one of the following alarms is signaled also by a buzzer beep

### OVER TEMPERATURE

When roller temperature exceeds the safety limit. When it happens, the chest automatically lifts and the suction is activated (if provided). The alarm goes off automatically when the temperature comes back to normal values. While the alarm is triggered, the roller cannot work. Call your service to check the damage.

### TEMPERATURE PROBE FAIL

When the temperature probe is damaged, the ironer notifications are the same as in case of over temperature. Call the service.

### MOTOR THERMAL

A motor thermal alarm is given when an inverter fail occurs. The machine activates the cooling and starts the suction (if provided). Once the cooling temperature is reached, the ironer stops: the alarm is still displayed, it can be resettled switching off the machine. Call the service.

### WDT CHEST

If the stand-by position of the chest is not reached within the limit time from the rising control, the ironer goes OFF.



### ATTENTION!

In case this alarm occurs, stop using the machine immediately and call the service.

### SWITCHING-ON RESET BUTTON

Under the touch-screen display, there is the RESET button for the safety system. The system lights the button when one of the following events occur:

- intervention of hand-safe bar;
- activation of anti-panic bar;
- opening of one of the side doors;
- pressing of the emergency stop button

Restore the safety device pushing RESET button. The alarm is reset when the light turns off. In the

event light is still on, check again the list above as one of those events is still occurring and the machine is still on stand-by waiting for the restoration.

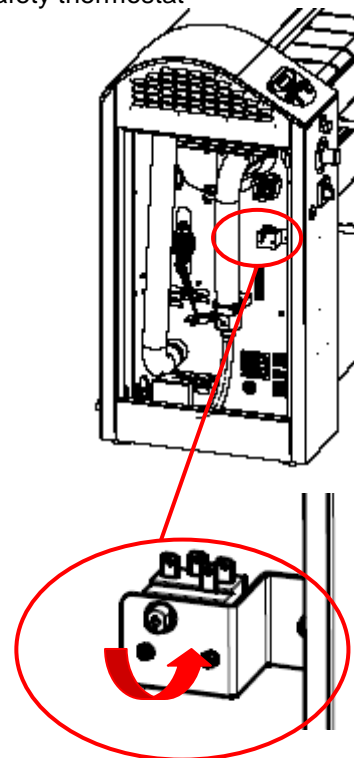
## CONTROL FIRE PROTECTION SYSTEM

When the safety thermostat takes action, it is necessary to rearm it.

Check roller temperature is under 80°C. Turn off the machine and switch off all power supplies. Open the left side door and identify the safety thermostat. Unscrew the black topper and push the white button inside.

Screw the black topper and close all doors.

The safety thermostat



### FIRE ALARM

It occurs in the event of heating system failure. Open the chest, stop the machine and disconnect immediately the power supplies. Call the service to verify the failure.

## 23. PROGRAMMING

Default data can be modified entering in the user menu.

When the machine is standing, tap the icon menu “:” on the upper right side.

The display shows:



Use the six-digit code to enter in the user area "123456".

Then, the display shows the menu list.

This screen is the user programming access. Browse it to enter the configuration of settings:

- LANGUAGE: to set the language of the touch screen.
- DATE/TIME: to set local date and time.
- TEMPERATURE VISUALIZATION: to set the temperature in °C or in °F
- TOUCH DEACTIVATION: to set that the only active button on the keyboard during the machine working is the STOP button (so it is impossible to modify program parameters of the ongoing program)
- CHANGE PASSWORD: to have a new password
- LOADING NEW PROGRAMS THROUGH USB PORT: to manage customized programs made on purpose by the user
- REPORTINGS: to verify the diagnosis of the machine
- ENERGY MENU: following a proper setting during the installation, it provides data of energy consumptions of the machine
- PROGRAMS: to modify stored programs on all their features, icons included.

#### 24. IRONER MAINTENANCE

Each ordinary and extraordinary maintenance operation must be taken over by qualified technician.

Before maintenance is performed on the ironer, cut off all the energy supplies.

Here below detailed ordinary and extraordinary maintenance to be done.

##### DAILY

At the end of each working day, always clean the lateral filters from the fluff.

#### EACH 3 MONTHS

Check the suction cleanness (if equipped with this system). Open the left side door; unscrew the cochlea closing screws. Check the mechanical connection screw and the shaft rotor screw tightening.

#### EACH 6 MONTHS

Check the cover and padded cover condition. Once the first burning signals appear on the cover, it needs to be replaced. Remember: the entire roller length must be used to avoid localized cover burnings (usually on the roller sides) and stop the machine when the temperature is lower than 80°C.

#### EACH 6 MONTHS

Using a tape measure check the roller diameter in different points: right side, left side and center.

The steel wool roller cover must be replaced when the roller diameter, the cover and padded cover are below the following values:

- 785 mm of circumference for ironer Ø 25 cm
- 1005mm of circumference for ironer Ø 33 cm

When the steel wool is replaced, then also the cover and padded cover needs to be replaced. In order to avoid the roller flats only in some point (usually at center), it must be used for all its length.

Once the first covering with the steel wool has been made, the ideal roller dimensions are:

- 790±5 mm of circumference for ironer Ø 25cm
- 1045±5mm of circumference for ironer Ø 33cm

Once the second covering with cover and padded cover has been made, the final roller dimension should be:

- 810±5 mm of circumference for ironer Ø 25cm
- 1070±5mm of circumference for ironer Ø 33cm

#### EACH 12 MONTHS

Check the gas spring efficiency.

The gas spring replacement is necessary when the chest has no more power to close to the roller or its pressure is no more enough (gas lack or spring inefficiency).

#### 25. IRONING PROBLEMS

In case of no satisfactory ironing quality, please check the here below trouble shooting.

PROBLEM	SOLUTION
---------	----------

PROBLEM	SOLUTION
The cloth does not run between chest and roller. The cloth presents wrinkles at the exit.	<p>a) Clean the chest. Use a folded light cloth as wide as the roller with some paraffin inside and pass it to the chest. Ironing the folded cloth, the paraffin melts and spreads over the chest.</p> <p>b) Check the selected ironing pressure: it could be too much high.</p>
The cloth stays blocked between roller and chest	<p>a) Check if some solid residuals stay on the chest. In this case, the chest must be removed and cleaned with brass bristles. The brush must be used in the same direction of the linen way. Do no brush in horizontal sense (from right to left or vice versa!).</p> <p>b) Check the selected ironing pressure: it could be too much high.</p>
Yellow stains on the cloth	a) Check rinsing efficiency on the washing machines, as cloth must be well cleaned from residual detergent. PH must be between 5 and 6.
Yellowed cloth	<p>a) Check if the ironing temperature respects the instructions written on the cloth label: the temperature could be too much high.</p> <p>b) Check the ironing speed: it could be too much low.</p>
Black lines on the roller on one or more circumferences.	<p>a) Check the chest for residuals due to buttons or nylon seams melting.</p> <p>b) Check the chromium chest not to be damaged by zip or other metallic elements.</p>

PROBLEM	SOLUTION
Cloth exits with irregular folds, nor parallel or perpendicular at the chest.	a) Verify the level of residual humidity of the cloth when introduced into the ironer. A too much dried cloth could not be correctly ironed.
Cloth is still wet at the end of the ironing.	<p>a) Check the cloth residual humidity: it must not be higher than 20%</p> <p>b) Check the ironing speed: if it is too much high, it could avoid the complete drying.</p> <p>c) Check the selected temperature: it could be too much low.</p> <p>d) Check the humidity suction: if it is obstructed, its efficiency could be limited.</p> <p>e) Check the selected pressure: it could be too much low.</p>

## 26. SAFETY DEVICE CONTROL

After the machine is switched on and before starting the ironing cycle the safety devices perfect working must always be controlled. User must always follow the below procedures:

ACTION	REACTION
Press ON/OFF key on the keypad...	... roller <b>MUST NOT</b> start to turn.
Press the pedal, but do not introduce the cloth ...	... roller <b>MUST</b> start to turn and chest <b>MUST</b> close to the roller.
Press the hand safe bar ...	... roller <b>MUST</b> stop. The chest must open.
Until the hand safe bar stay activated ...	... ironer <b>MUST NOT</b> have possibility to be started.
Start again the machine and press the pedal ...	... roller <b>MUST</b> start to turn and the chest <b>MUST</b> get near the roller.

ACTION	REACTION
While the ironer is working, press the emergency stop button ...	... roller MUST stop and chest MUST go away from the roller.
Until the emergency stop button is pressed ...	... SHOULD NOT be possible to switch on the machine.
Bring the emergency stop button to the original position: switch on the machine and press the pedal ...	... the roller MUST start to turn and the chest MUST lift the roller.
Press the anti-panic bar ...	... the chest must be automatically left.

**ATTENTION!**

After the machine is switched on and before starting the ironing cycle, always control all safety devices perfect working

**27. SCRAPPING**

When the machine life cycle arrive to the end, please proceed with the machine scrapping following the country rules, keeping separate the metallic, the plastic, the glass, the electric/electronic parts.

***Ai sensi dell'art. 13 del Decreto Legislativo 25 luglio 2005, n. 151"Attuazione delle Direttive 2002/95/CE, 2002/96/CE e 2003/108/CE, relative alla riduzione dell'uso di sostanze pericolose nelle apparecchiature elettriche ed elettroniche, nonché allo smaltimento dei rifiuti"***



The crossed bid symbol on the equipment or on the packing means that this product, at the end of its life, must be kept separated from the other waste.

The supplier organizes the rubber collection of this equipment. Once the operator casts the equipment off, he must contact the manufacturer in order to have information about the procedure. An appropriate waste collection means an

environmentally friendly discard of the materials and their eventual re-use. Illegal dismantling of the equipment is subject to the local laws measures .

**28. WARRANTY CONDITIONS**

For the warranty conditions, please refer to the manufacturer price list.



Warranty conditions are valid and applied only if the instructions written in this manual are carefully respected, in particular:

- Work always respecting the machine working limits;
- Operate always a periodically and carefully maintenance;
- The machine must be used by qualified and trained personnel;

Use only original spare parts suggested by the manufacturer.